

LSF- ORANGE/LSF-BLA

Xenon beacons

VANDERBILT



Key Features include:

- Wide range of operating voltages
- Current surge suppression
- Automatic synchronisation
- High efficiency
- Constant performance over the full voltage range
- Lockable base
- Indoor applications
- Tamper contact for removal from base.

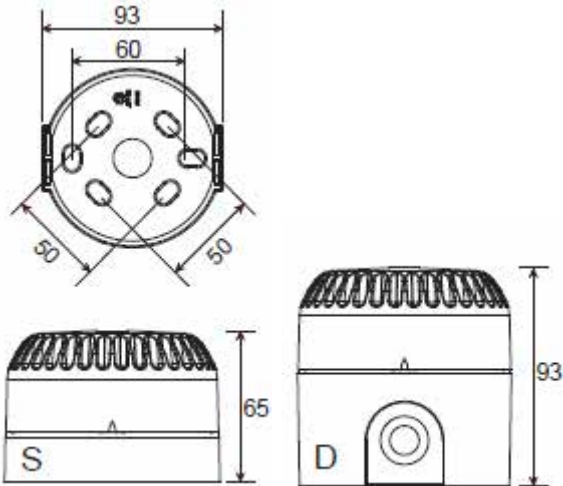
LSF- ORANGE/LSF-BLA

Xenon Beacons

VANDERBILT

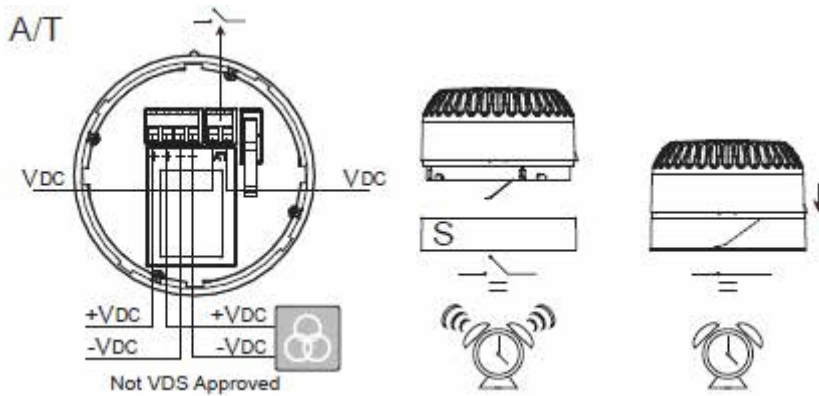
Description

Xenon beacons are a cost effective compliment to audible alarms, for use in areas of high ambient noise. The wide operating voltage and the automatic synchronization of the xenon beacons make them a universal solution for all types of alarm and monitoring systems.



Standard Base

Deep Base



Tamper connections

LSF- ORANGE/LSF-BLA

Xenon beacons

VANDERBILT

■ Technical Specifications

Supply voltage (nom. 12 V)	9 ... 60 VDC
Current consumption +/-10%	
- 12 VDC	185 mA
- 24 VDC	88 mA
- 60 VDC	45 mA
Light output	10cd
Flash rate	1Hz
Monitoring	Reverse polarity
Tamper Protection	Removal from base, normally closed contact
Housing	
- Construction	ABS, PC
- Base colour	White
- Lens colour	Orange – orange, BLA - blue
Ambient conditions	
- Operating temperature	-25 ... +70 °C
- Humidity (EN60721)	≤ 95% RH, non-condensing
- Housing protection (EN60529)	IP54 – standard base
- Housing protection (EN60529)	IP65 – optional deep base – Sockelvit
Dimensions (Ø x H)	93 x 65 mm - standard base

■ Accessory

Type	Art.-No.	Description	Weight
SOCKELVIT	N54539-Z153-A100	Deep base white, IP65	60g

■ Ordering Information

Type	Art.-No.	Description	Weight
LSF-Orange	N54539-Z164-A100	LSF-ORANGE, Xenon beacon, amber	150g
LSF- BLA	N54539-Z162-A100	LSF-BLA, Xenon beacon, blue	150g