

IK-4142BH-MH/P PoE Kit

Key Feature

- H.265+/H.265/H.264+/H.264 video compression
- PoE connection
- 4 × 2 MP IR fixed network bullet camera
- 1 x NVR, full channel recording at up to 4 MP resolution



Camera

- 1/2.8" Progressive Scan CMOS
- 1920 × 1080@30 fps
- 2.8 mm fixed lens
- Color: 0.01 Lux @(F1.2; AGC ON), 0.028 Lux @(F2.0; AGC ON)
- 3D Digital Noise Reduction

NVR

- Up to 4-ch network camera inputs (up to 4 MP)
- 2-ch@1080p/1-ch@4 MP decoding capability
- HDMI/VGA output with up to 1920 × 1080 resolution
- HiLookVision for easy network management

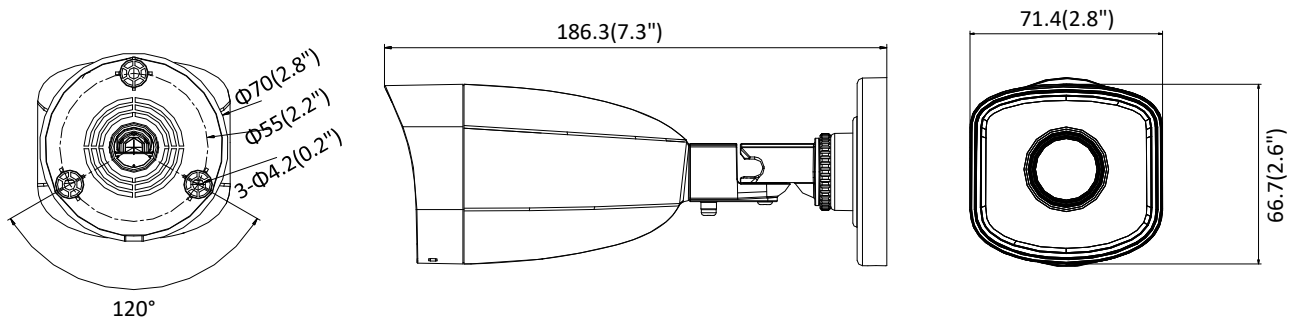
Specification

Kit Model	IK-4142BH-MH/P
Camera Model	4 × IPC-B121H (2.8 mm)
NVR Model	NVR-104MH-D/4P
Camera	
Image Sensor	1/2.8" Progressive Scan CMOS
Min. Illumination	Color: 0.01 Lux @(F1.2; AGC ON), 0.028 Lux @(F2.0; AGC ON)
Shutter Speed	1/3 s to 1/100,000 s
Day & Night	IR cut filter
WDR	DWDR
Angle Adjustment	Pan: 0° to 360°, tilt: 0° to 180°, rotation: 0° to 360°
Protection Level	IP67
Material	Front cover: metal, camera body: plastic, bracket: plastic
Lens	
Focal Length	2.8 mm
Aperture	F2.0
Focus	Fixed
FOV	Horizontal FOV: 114.8°, vertical FOV: 62°, diagonal FOV: 135.5°
Lens Mount	M12
IR	
IR Range	Up to 30 m
Compression Standard	
Video Compression	Main stream: H.265+/H.265/H.264+/H.264 Sub-stream: H.265/H.264/MJPEG
H.264 Type	Main Profile/High Profile/Baseline Profile
H.264+	Main Profile
H.265 Type	Main Profile
H.265+	Main Profile
Video Bit Rate	32 Kbps to 8 Mbps
Image	
Max. Resolution	1920 × 1080
Main Stream	50 Hz: 25 fps (1920 × 1080, 1280 × 960, 1280 × 720) 60 Hz: 30 fps (1920 × 1080, 1280 × 960, 1280 × 720)
Sub-stream	50 Hz: 25 fps (640 × 480, 640 × 360, 320 × 240) 60 Hz: 30 fps (640 × 480, 640 × 360, 320 × 240)
Image Setting	Saturation, brightness, contrast, sharpness, AGC, white balance adjustable by client software or web browser
Day/Night Switch	Auto/Scheduled/Day/Night
Network	
Alarm Trigger	Motion detection, video tampering, illegal login
Protocols	TCP/IP, ICMP, HTTP, HTTPS, DHCP, DNS, RTP, RTSP, RTCP, NTP, IGMP, QoS, UDP
General Function	Anti-flicker, heartbeat, mirror, password protection, privacy mask, watermark
Client	iVMS-4200, HiLookVision, iVMS-5200, iVMS-4500
Interface	
Communication Interface	1 RJ45 10M/100M self-adaptive Ethernet port

Video Out	No
Alarm I/O	No
Reset Button	No
General	
Power Supply	12 VDC \pm 25%, Φ 5.5 mm coaxial plug power, or PoE (802.3af, class 3)
Consumption	12 VDC, 0.3 A, Max: 3.5 W, or PoE (802.3af, 36 V to 57 V), 0.2 A to 0.1 A, Max: 4.5 W
Working Temperature	-30 °C to 60 °C (-22 °F to 140 °F)
Working Humidity	95% or less (non-condensing)
Dimension (W × D × H)	Φ 70 mm × 186.3 mm (Φ 2.8" × 7.3")
Weight	Approx. 270 g (0.6 lb)
NVR	
Video and Audio	
IP Video Input	4-ch
	Up to 4 MP resolution
Incoming/Outgoing Bandwidth	40 Mbps/60 Mbps
HDMI/VGA Output	1920 × 1080/60Hz, 1280 × 1024/60Hz, 1280 × 720/60Hz, 1024 × 768/60Hz
Decoding	
Decoding Format	H.265+/H.265/ H.264+/H.264
Video Resolution	4 MP/3 MP/1080p/UXGA /720p/VGA/4CIF/DCIF/ 2CIF/CIF/QCIF
Synchronous Playback	4-ch
Capability	2-ch@1080p / 1-ch@4 MP
Network	
Network Interface	1, RJ45 10/100M Ethernet interface
Network Protocol	IPv6, UPnP™, NTP, SADP, DHCP
Remote Connection	16
PoE	
Interface	4, RJ-45 10/100 Mbps self-adaptive Ethernet interface
Power	\leq 36 W
Standard	IEEE 802.3 af/at
Auxiliary interface	
SATA	1 SATA interface
Capacity	Up to 6 TB capacity for each disk
USB Interface	Rear panel: 2 × USB 2.0
Alarm In/Out	No
General	
Power Supply	NVR: 48 VDC
Consumption (without HDD and PoE off)	\leq 10 W
Working Temperature	-10 °C to 55 °C (14 °F to 131 °F)
Working Humidity	10% to 90%
Dimension (W × D × H)	265 × 225 × 48 mm (10.4" × 8.9" × 1.9")
Weight (without hard disk)	\leq 1 kg (2.2 lb)
Kit	

Accessories	Power: 1 power cable Network cable: 4 × 18.3 m (60 ft) video and power cable HDMI cable: 1 HDMI cable
Hard Drive	Pre-installed 1 TB HDD
Certification	FCC, CE
Weight (with package)	≤ 8 kg (17.6 lb)

Camera Dimension

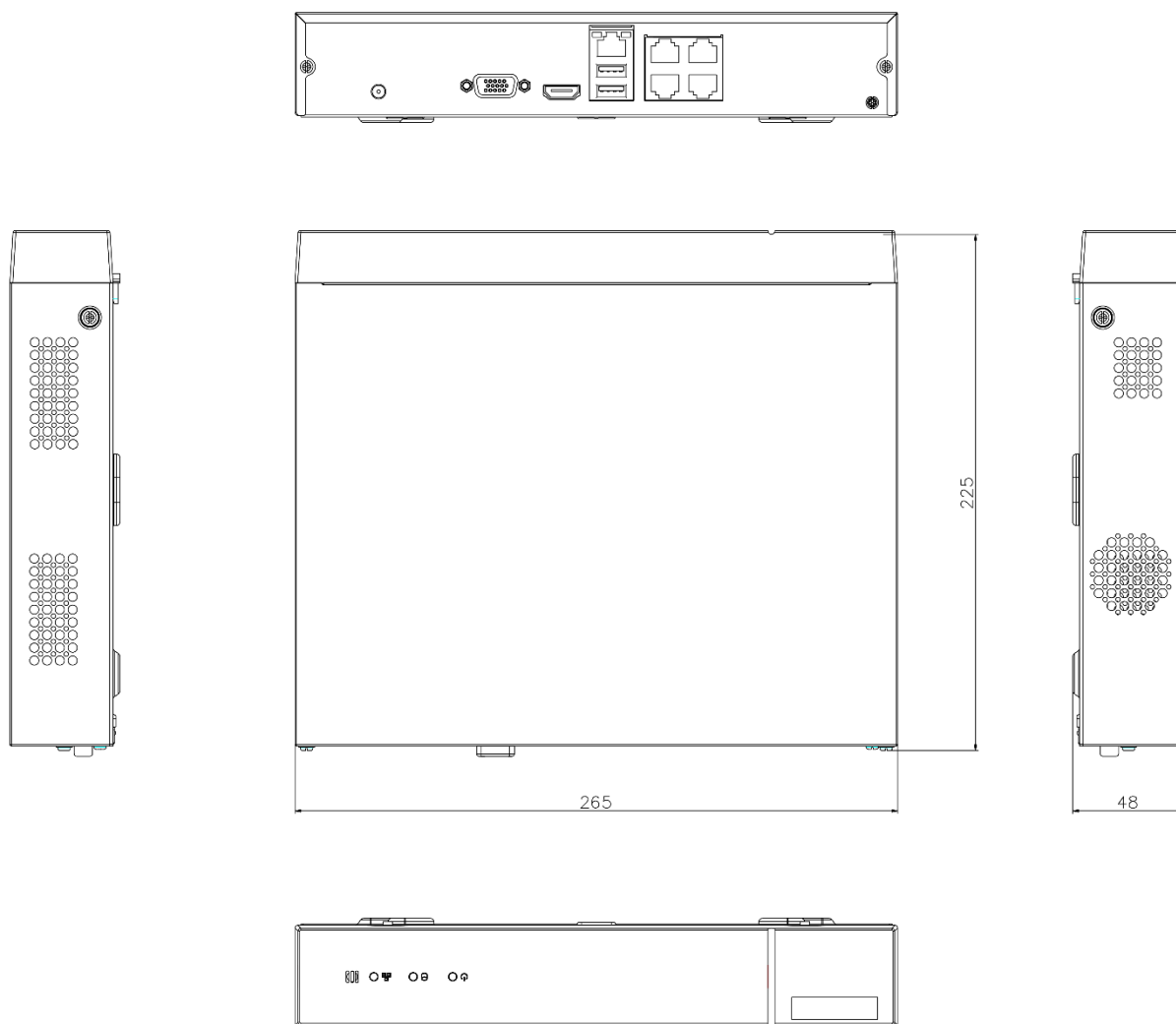


Accessory



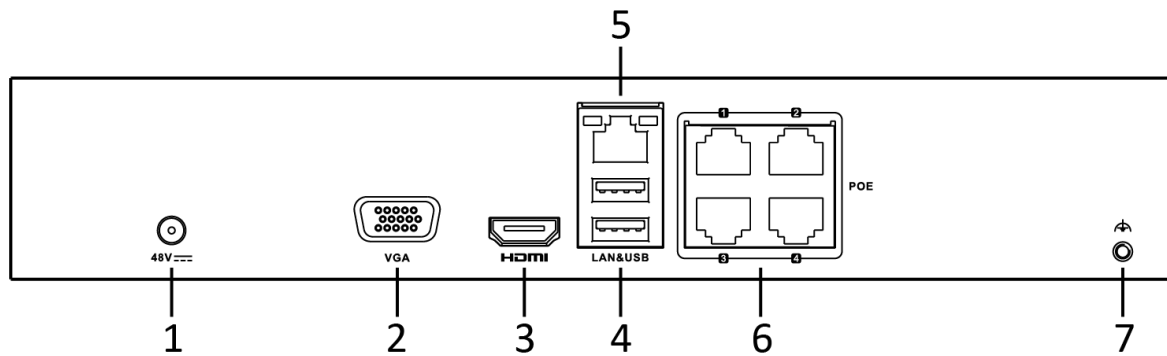
HIA-J101
Junction Box

NVR Dimension



Unit: mm

Physical Interface



No.	Description	No.	Description
1	Power Supply	5	LAN Network Interface
2	VGA Interface	6	Network Interfaces with PoE function
3	HDMI Interface	7	Ground
4	USB Interface		

Available Model

IK-4142BH-MH/P