

HK-SFP-1.25G Series Transceiver

Features and Functions

■ Features

- a. Single Power Supply 3.3V
- b. Small Form Factor Pluggable (SFP) MSA Compatible
- c. Single Fiber Bi-Direction LC Connector
- d. Hot Pluggable Capability
- e. Compliant With ROHS Standard

■ Applications

- a. Fiber Channel
- b. Gigabit Ethernet
- c. Switch to Switch Interface

■ Absolute maximum ratings

Parameter	Symbol	Min.	Max.	Unit
Storage Temperature	T_S	-40	+85	°C
Supply Voltage	V_{CC}	-0.5	+3.6	V
Voltage at any Input Pin	V_{IN}	0	V_{CC}	V
Power supply current	I_{CC}	-	300	mA

■ Recommended Operating Conditions

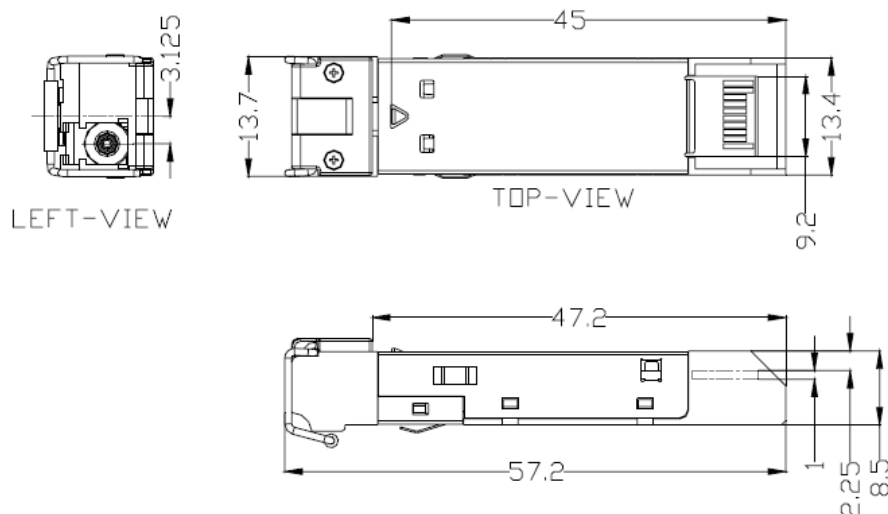
Parameter	Symbol	Min.	Typ	Max.	Unit
Operating Temperature	T_{op1}	0	-	+70	°C
	T_{op2}	-40	-	+85	
Supply Voltage	V_{CC}	3.1	3.3	3.5	V
Data Rate	-	-	1250	-	Mb/s

■ Ordering Information

Part No.	Wavelength (nm)	Temp. (°C)	TX Power (dBm)	RX Sens(Max) (dBm)	Distance (km)
HK-SFP-1.25G-20-1310	TX1310nm FP/RX1550nm	0 to 70	-6 to -1	-21	20
HK-SFP-1.25G-20-1550	TX1550nmDFB/RX1310nm	0 to 70	-9 to -1	-21	20



■ Mechanical(Units in mm)



■ Operating Conditions

Part No.	HK-SFP-1.25G-20-1310	HK-SFP-1.25G-20-1550
Fiber		
Fiber type	SMF, Single fiber, 9/125um	
Connector	LC	
Connector quantity	1	
Distance	0~20km	
Wavelength	Tx1310nm/Rx1550nm	Tx1550nm/Rx1310nm
TX Power	-9~-1dBm	
RX Sens(Max.)	-21dBm	
Environment		
Operating temperature	0~70°C	
Storage temperature	-40~85°C	
Relative humidity	30~80%	
Power		
Power supply voltage	DC 3.3V	

Distributed by



Headquarters

No.555 Qianmo Road, Binjiang District,
Hangzhou 310051, China
T +86-571-8807-5998
overseasbusiness@hikvision.com

Hikvision USA
T +1-909-895-0400
sales.usa@hikvision.com

Hikvision Italy
T +39-0438-6902
info.it@hikvision.com

Hikvision Singapore
T +65-6684-4718
sg@hikvision.com

Hikvision Europe
T +31-23-5542770
saleseuro@hikvision.com

Hikvision France
T +33(0)11-85-330-444
info.fr@hikvision.com

Hikvision Oceania
T +61-2-8599-4233
salesau@hikvision.com

Hikvision Middle East
T +971-4-8816086
salesme@hikvision.com

Hikvision Spain
T +34-91-737-16-55
info.es@hikvision.com

Hikvision Hong Kong
T +852-2151-1761

Hikvision Russia
T +7-495-669-67-99
saleru@hikvision.com

Hikvision Poland
T +48-22-460-01-50
poland@hikvision.com

Hikvision Canada
T +1-909-895-0400
sales.usa@hikvision.com

Hikvision India
T +91-22-28469900
sales@pramahikvision.com

Hikvision UK
T +44-1628-9021-4
support.uk@hikvision.com