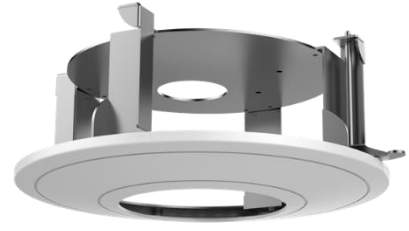


DS-1227ZJ-DM37

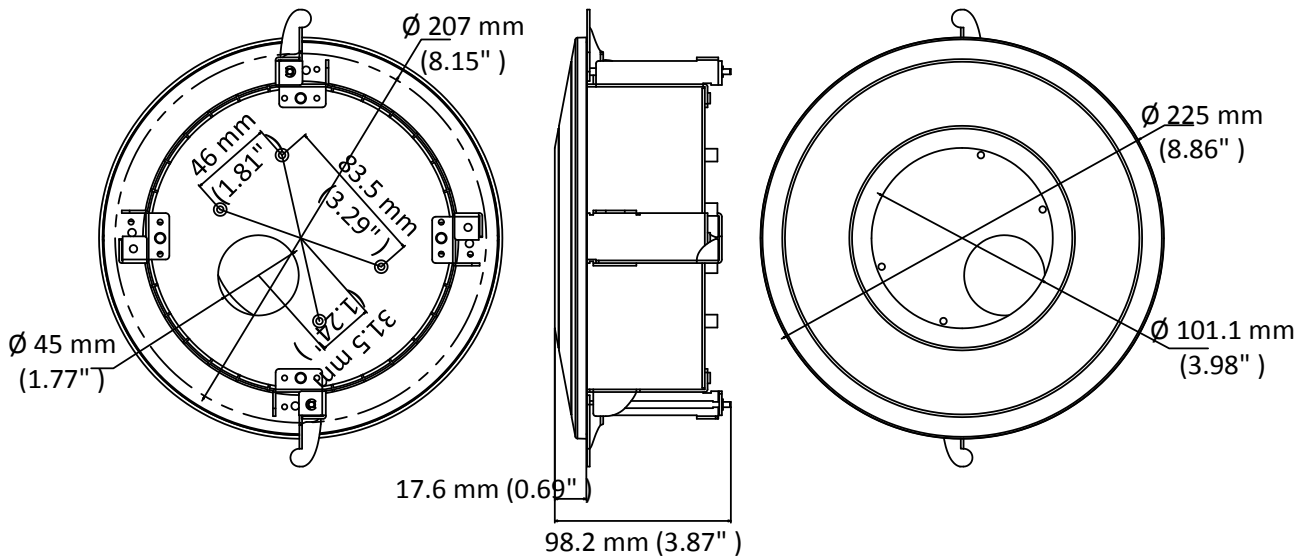
In-Ceiling Mount



Features

- Steel and plastic with surface spray treatment
- In-ceiling mount saves installation space

Dimension



Available Model

DS-1227ZJ-DM37

Parameter

| | |
|------------|------------------------------------|
| Model | DS-1227ZJ-DM37 |
| Parameters | In-Ceiling Mount |
| Appearance | Hikvision White |
| Material | Steel and Plastic |
| Dimension | Ø 225 mm × 98.2 mm (8.86" × 3.87") |
| Weight | 700 g (1.54 lb.) |

Notes

- The mount should be installed on the flat ceiling.
- The ceiling must be capable of supporting over 3 times as much as the total weight of the camera and the mount.
- The maximum load capacity of the mount is 3 kg (6.6 lb.).